**FEATURES**

- FADER+DIMMER+DRIVER
- DC Input: 12/24/48 Vdc
- Command: push-button
- Adjusting the brightness of the light
- Current outputs or voltage outputs for R-L-C loads
- Typical efficiency > 95%
- Adjusting the brightness up to completed off
- Soft start and soft stop
- Optimized output curve
- Extended temperature range
- 100% Functional test - 5 years warranty

## Constant current variants (common anode)

CODE	Supply voltage	Output	Channel	Command	
DLC1248-1CC350	12÷48V DC	1 x 350mA	1	N.O. push button	
DLC1248-1CC500	12÷48V DC	1 x 500mA	1	N.O. push button	
DLC1248-1CC700	12÷48V DC	1 x 700mA	1	N.O. push button	
DLC1248-1CC950	12÷48V DC	1 x 950mA	1	N.O. push button	

Any current value in the range from 350mA to 950 mA is available on demand.

Application: Dimmer

## Constant voltage variants (common anode)

CODE	Supply voltage	Output	Channel	Command	
DLC1248-1CV	12÷48V DC	1 x 8A max	1	N.O. push button	

Application: Dimmer

**Protections**

<b>OTP</b>	Over temperature protection
<b>OVP</b>	Over voltage protection
<b>UVP</b>	Under voltage protection
<b>RVP</b>	Reverse polarity protection
<b>IFP</b>	Input fuse protection
<b>SCP</b>	Short circuit protection
<b>OCP</b>	Open circuit protection
<b>CLP</b>	Current limit protection

**Reference standards**

IEC/EN 61347-1	Lamp controlgear - Part 1: General and safety requirements
IEC/EN 61347-2-13	Lamp controlgear - Part 2-13: Particular requirements for d.c. or a.c. supplied electronic controlgear for LED modules
IEC/EN 62384	DC or AC supplied electronic control gear for LED modules - Performance requirements
IEC 61547	Equipment for general lighting purposes - EMC immunity requirements
IEC 61000-3-2	Electromagnetic compatibility (EMC) - Part 3-2: Limits - Limits for harmonic current emissions (equipment input current $\leq 16$ A per phase)
EN 55015	Limits and methods of measurement of radio disturbance characteristics of electrical lighting and similar equipment
ANSI E 1.3	Entertainment Technology - Lighting Control Systems - 0 to 10V Analog Control Specification
IEC 60929-E.2.1	Control interface for controllable ballasts - control by d.c. voltage - functional specification

**Technical Specifications**

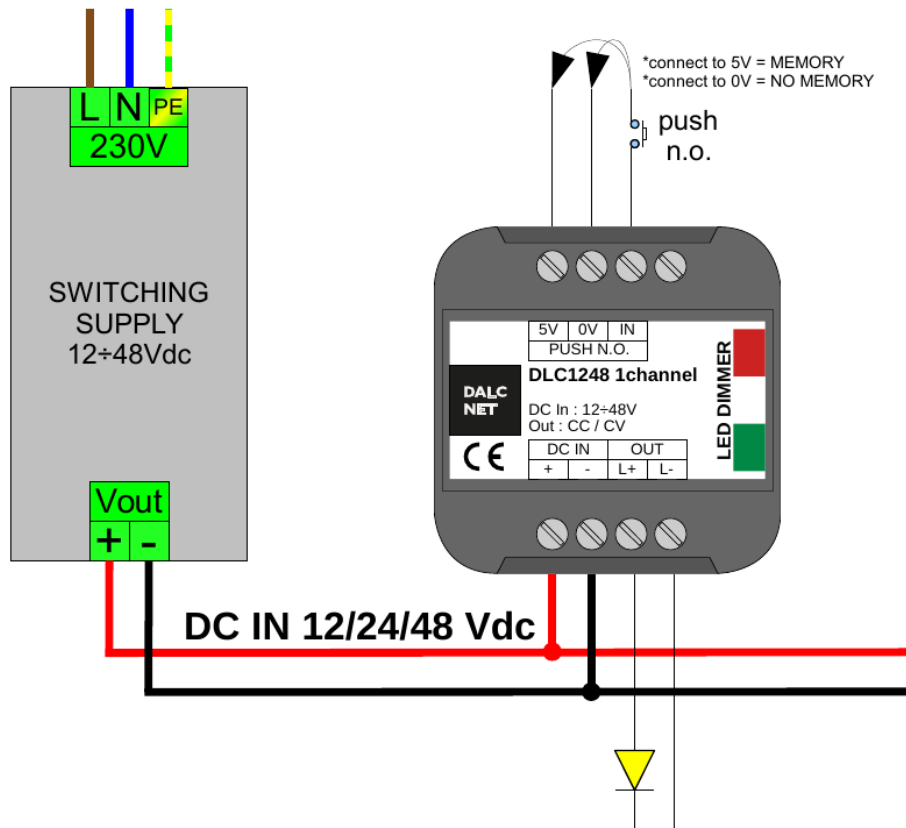
		Variants					Constant Voltage	
		Constant Current						
		350mA	500mA	700mA	950mA			
Supply Voltage		min: 10,8 Vdc .. max: 52,8 Vdc						
Input current		max 0,4A	max 0,5A	max 0,7A	Max 0.95A	max 8 A peak <sup>1)</sup>		
Absorbed Power at 0% output	@12V	max 90 mW				max 75 mW		
	@24V	max 205 mW				max 180 mW		
	@48V	max 515 mW				max 455 mW		
Output Voltage		min: Vin/4 max: Vin-0,9V				= Vin		
Output current		350 mA	500 mA	700 mA	950mA	max 8 A peak <sup>1)</sup> max 7,5A @20°C <sup>1)</sup> max 6,5A @40°C <sup>1)</sup>		
Nominal power <sup>1)</sup>	@12V	4.2 W	6 W	8.4 W	11.4 W	78 W		
	@24V	8.4 W	12 W	16.8 W	22.8 W	156 W		
	@48V	16.8 W	24 W	33.6 W	45.6 W	312 W		
Thermal shutdown		150 °C				150 °C		
D-PWM dimming frequency		250Hz						
D-PWM resolution		16 bit						
D-PWM range		0,1 – 100 %						
Storage temperature		min: -40 max: +60 °C						
Ambient temperature <sup>1)</sup>		min: -10 max: +40 °C						
Protection Grade		IP20						
Wiring		2.5mm <sup>2</sup> solid - 1.5mm <sup>2</sup> stranded - 30/12 AWG						
Mechanical dimensions		44 x 44 x 25 mm						
Packaging dimensions		68 x 56 x 35 mm						
Weight		40g						

<sup>1)</sup> maximum value, dependent on ventilation conditions



## Installation

Connect the switching supply (12-48V), connect the push button (to 5 or 0V, with/without memory), connect leds.



DLC1248-1CC350  
DLC1248-1CC500  
DLC1248-1CC700  
DLC1248-1CC950  
DLC1248-1CV

## Configuration

### BUTTON

- 1- Memory function: the device stores its state in case of blackout (if buttons connected to 5V).
- 2- Eco function: when recovering the power supply the device starts-up from a switched off condition (if buttons connected to 0V).
- 3- Preset function: when recovering the power supply the device starts-up from a previously set condition. The preset can be stored by connecting buttons to 5V during installation (and to 0V after installation).

**Function****BUTTON**

The intensity and the status (ON/OFF) is controlled by the button.

Button	Function	Intensity	
1		Click Double Click Long pressure (>1s) from OFF Long pressure (>1s) from ON	On/Off Maximum Intensity Turn on at 10% (Nighttime) Dimmer UP/DOWN

**Technical Notes**

- The 0÷10V control input is compatible with sinking/sourcing 1÷10V controls (where available). In 1÷10V control mode without external current source, the current source of the product must be activated, as shown on connection scheme.
- Installation and maintenance must be performed only by qualified personnel in compliance with current regulations.
- The product must be installed inside an electrical panel protected against overvoltages.
- For the power supply is preferable to use a SELV power supply. In the case of using class I power supply, ALL points of the protective earth (PE = Protection Earth) must be connected to a valid protection earth .
- Keep 230V cables separate from circuits to low voltage (SELV).
- The connection cables between the power source "low voltage" and the product must be dimensioned correctly and they should be isolated from every wiring or parts at voltage not SELV. Is preferable to use shielded and twisted cables. (Only for multi-channel) In case of output currents higher at 10A, connect at the power supply both pairs of power supply input "V +" and "V-".
- The length of the connection cables between the product and the LED module must be less than 10m; the cables must be dimensioned correctly and they should be isolated from every wiring or parts at voltage not SELV. Is preferable to use shielded and twisted cables.
- The length of the connection cables between the local commands (push-button, potentiometer, 0-10 V, 1-10 V, or other) and the product must be less than 10m; the cables must be dimensioned correctly and they should be isolated from every wiring or parts at voltage not SELV. Is preferable to use shielded and twisted cables.
- The length and type of the connection cables of the BUS (DALI, DMX, Modbus, Ethernet, or other) use cables as per specification of the respective protocols and regulations and they should be isolated from every wiring or parts at voltage not SELV. Is preferable to use shielded and twisted cables.
- To connect the DMX512+RDM, Modbus and DALI bus use cables as per specification of the respective protocols and regulations.
- It 'absolutely forbidden to connect, for any reason whatsoever, directly or indirectly, the 230V mains voltage to the bus or to other parts of the circuit.